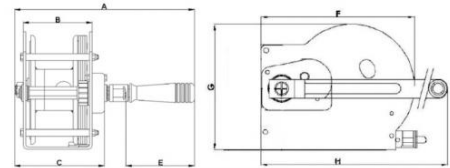


## 4AFL 190 kg - standard model



Hand self-braked spur gear winch 190 kg, standard model (zinc protection).

Use:

- Lifting or pulling/hauling operations
- Occasional use or leisure
- Small lifting height
- Hanging chandeliers
- Light trailer (quad, lawn tractor...)

Comply with Machines Directive 2006/42/EC. Developed and manufactured in accordance with standard NF E N 13157.

### Technical properties

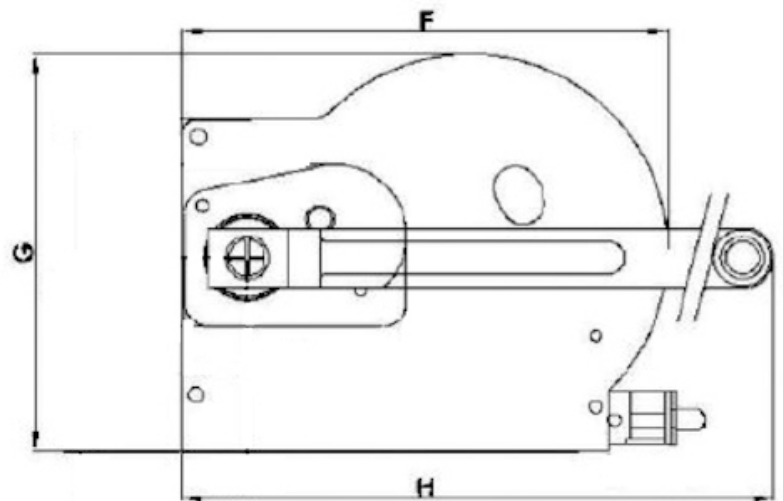
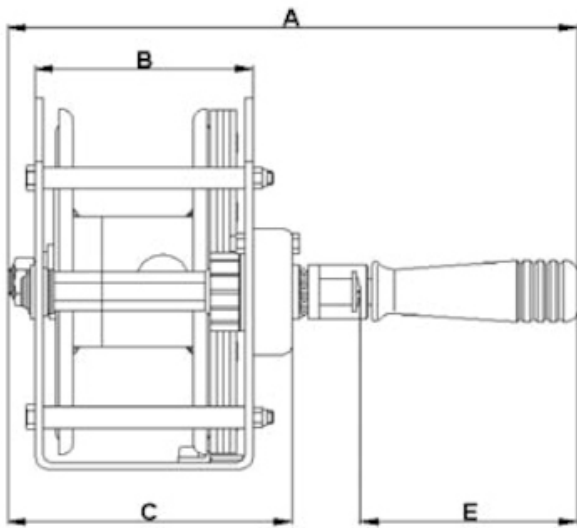
- Compact winch.
- Small size.
- Robust: chassis and steel drum.
- Automatic brake.
- Easy to install (2 or 3 points of fixation depending on models).
- To use with steel ropes.
- Stainless steel model available.

### Technical characteristics of 4AFL 190 kg - standard model

Capacity 1st layer kg	340
Capacity top layer kg	190
Wire rope cap. top layer m	10
Wire rope Ø mm	4
Weight (without wire rope) kg	2.7

## Dimensions

A mm	250
B mm	90,5
C mm	117
E mm	100
F mm	128
G mm	96
H mm	197



## Technical characteristics of the other models of the range

References	4AFLM	4AFL	6AFL	8AFL	12AFL
Capacity 1st layer kg	190	<b>340</b>	500	650	900
Capacity top layer kg	80	<b>190</b>	240	270	490
Wire rope cap. top layer m	8	<b>10</b>	12	19	12
Wire rope Ø mm	3	<b>4</b>	5	6	7
Weight (without wire rope) kg	2.2	<b>2.7</b>	3.7	5.5	7.4

References	4AFLMINOX	4AFLINOX	6AFLX	8AFLX	12AFLINOX
Capacity 1st layer kg	190	340	500	650	900
Capacity top layer kg	80	190	240	270	490
Wire rope cap. top layer m	8	10	12	19	12
Wire rope Ø mm	3	4	5	6	7
Weight (without wire rope) kg	2.2	2.8	4.4	5.2	7.6



### HUCHEZ's advice

Compact, easy to install and use.



HUCHEZ  
 9, Grande Rue  
 60420 FERRIERES – France  
 ☎ +33 (0) 3 44 51 11 33  
 Site internet : [www.huchez.com](http://www.huchez.com)  
 E-mail : [contact@huchez.fr](mailto:contact@huchez.fr)



**SERVICE  
 CLIENTS**

Pour en savoir plus, n'hésitez pas à nous contacter !  
*To know more, please contact us!*

