

RSG & RSD - HEAVY DUTY SKATES WITH GROOVED GUIDE



Capacities from 40 to 400 tonnes

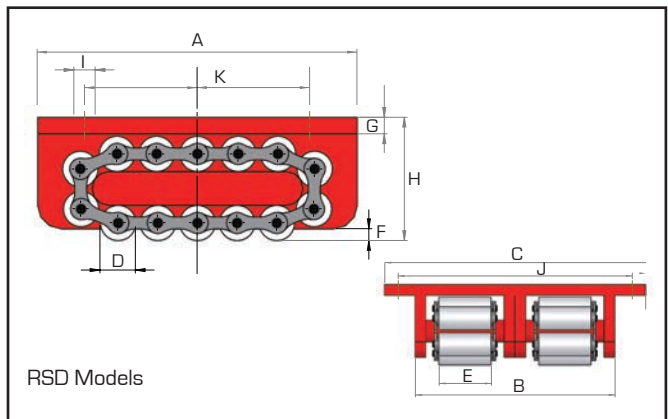
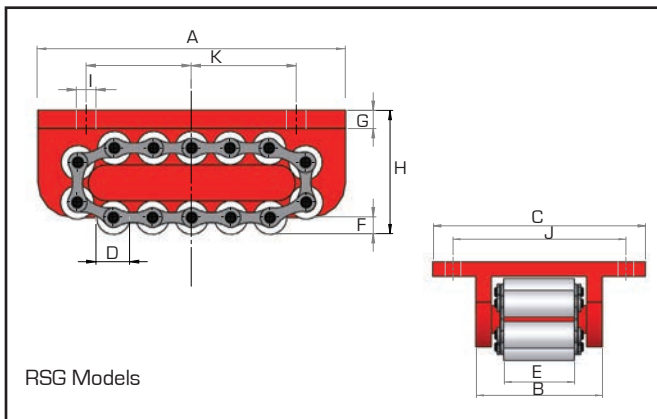
Low level, robust construction

Heat treated, special chrome alloy chains

The RSG heavy duty range of single roller moving skates is available with capacities up to 200 tonnes each skate and incorporates a chain groove cut into the centre member of the skate, which helps to keep the chain running parallel with the body and is specially suited for moving loads over long distances.

The RSD range offers the same features as the RSG range, however has a double roller design, capable of transporting loads up to 400 tonnes per skate.

Both the RSG and RSD models feature high quality, heat treated components and are supplied with 4 mounting bolt holes for easy attachment to the load.



Model number	Capacity tonnes	Rollers in contact	Rollers total	Weight kg
RSG Range - Single-roller design				
RSG40	40	4	13	19.6
RSG50	50	6	17	29.5
RSG65	65	4	13	51.7
RSG85	85	6	17	93.0
RSG100	100	8	21	109.0
RSG150	150	9	23	162.0
RSG200	200	13	31	266.0
RSD Range - Double-roller design				
RSD80	80	2 x 4	2 x 13	36.2
RSD100	100	2 x 6	2 x 17	57.5
RSD130	130	2 x 4	2 x 13	96.0
RSD170	170	2 x 6	2 x 17	175.0
RSD200	200	2 x 8	2 x 21	207.0
RSD300	300	2 x 9	2 x 23	305.0
RSD400	400	2 x 13	2 x 31	485.0

Dimensions in mm										
A	B	C	øD	E	F	G	H	øI	J	K
270	130	210	30	68	10	14	104	18	175	95
320	140	220	30	68	10	18	115	18	180	120
380	168	270	42	76	19	19	145	22	220	140
530	182	300	50	86	19	19	165	22	240	205
580	182	300	50	86	19	23	170	26	250	250
650	205	350	50	100	20	28	190	26	280	240
900	205	380	50	100	20	38	200	33	300	360
270	260	340	30	68	10	14	104	18	305	95
320	280	360	30	68	10	18	115	18	325	120
380	336	440	42	76	19	19	145	22	390	150
530	364	480	50	86	19	19	165	22	430	210
580	364	480	50	86	19	23	170	26	430	250
650	410	560	50	100	20	28	190	26	490	240
900	410	590	50	100	20	38	200	33	500	360