

HEP2 - ELECTRIC DRIVEN PUMPS - GENERAL DUTY MEDIUM FLOW

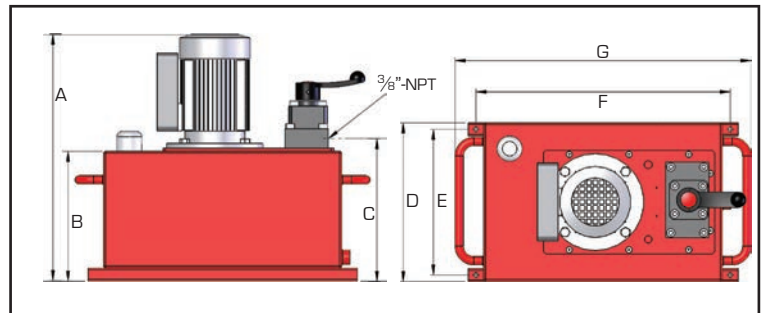


Low pressure flow rate 7 ltr/min. up to 70 Bar

High pressure flow rate 0.65 ltr/min. up to 700 Bar

Two stage hydraulic pump unit

- >> Externally adjustable pressure relief valve
- >> Manual valve with load holding feature fitted as standard (excl. 2-way valves)
- >> Solenoid valve options available



Model number	Valve type	Oil cap. litres	Motor kW	Motor voltage	Weight kg
HEP207111	P-T Plate	10	1.5	110 / 115 V - 1Ph	47.0
HEP207112	P-T Plate	10	1.5	220 / 240 V - 1Ph	47.0
HEP207114	P-T Plate	10	1.5	380 / 440 V - 3Ph	47.0
HEP207121	P-T Plate	25	1.5	110 / 115 V - 1Ph	63.0
HEP207122	P-T Plate	25	1.5	220 / 240 V - 1Ph	63.0
HEP207124	P-T Plate	25	1.5	380 / 440 V - 3Ph	63.0
HEP207211	2-way	10	1.5	110 / 115 V - 1Ph	47.5
HEP207212	2-way	10	1.5	220 / 240 V - 1Ph	47.5
HEP207214	2-way	10	1.5	380 / 440 V - 3Ph	47.5
HEP207221	2-way	25	1.5	110 / 115 V - 1Ph	63.5
HEP207222	2-way	25	1.5	220 / 240 V - 1Ph	63.5
HEP207224	2-way	25	1.5	380 / 440 V - 3Ph	63.5
HEP207311	3-way	10	1.5	110 / 115 V - 1Ph	47.5
HEP207312	3-way	10	1.5	220 / 240 V - 1Ph	47.5
HEP207314	3-way	10	1.5	380 / 440 V - 3Ph	47.5
HEP207321	3-way	25	1.5	110 / 115 V - 1Ph	63.5
HEP207322	3-way	25	1.5	220 / 240 V - 1Ph	63.5
HEP207324	3-way	25	1.5	380 / 440 V - 3Ph	63.5
HEP207411	4-way	10	1.5	110 / 115 V - 1Ph	47.5
HEP207412	4-way	10	1.5	220 / 240 V - 1Ph	47.5
HEP207414	4-way	10	1.5	380 / 440 V - 3Ph	47.5
HEP207421	4-way	25	1.5	110 / 115 V - 1Ph	63.5
HEP207422	4-way	25	1.5	220 / 240 V - 1Ph	63.5
HEP207424	4-way	25	1.5	380 / 440 V - 3Ph	63.5

Dimensions in mm						
A	B	C	D	E	F	G
498	198	230	246	221	368	438
498	198	230	246	221	368	438
498	198	230	246	221	368	438
527	227	259	306	281	490	570
527	227	259	306	281	490	570
527	227	259	306	281	490	570
498	198	230	246	221	368	438
498	198	230	246	221	368	438
498	198	230	246	221	368	438
527	227	259	306	281	490	570
527	227	259	306	281	490	570
527	227	259	306	281	490	570
498	198	230	246	221	368	438
498	198	230	246	221	368	438
498	198	230	246	221	368	438
527	227	259	306	281	490	570
527	227	259	306	281	490	570
527	227	259	306	281	490	570
498	198	230	246	221	368	438
498	198	230	246	221	368	438
498	198	230	246	221	368	438
527	227	259	306	281	490	570
527	227	259	306	281	490	570
527	227	259	306	281	490	570

Note: For optional extras please see page 50