

HHR - DOUBLE ACTING HOLLOW PISTON CYLINDERS



Capacities from 33 to 247 tonnes

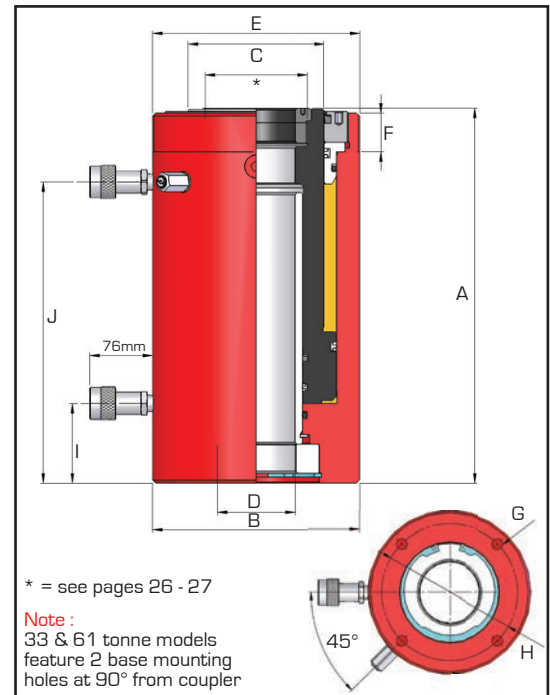
Stroke lengths from 51 to 305mm

Working pressure 700 Bar

B

The HHR double acting hollow piston cylinder range incorporates all of the design features of the HHS range with the added benefit of double acting design, which greatly enhances speed of operation and performance particularly in the longer length stroke options. Additionally a substantial hydraulic pulling force is available in the piston retraction mode of operation. Standard range models are featured in this catalogue, however other stroke and tonnage options are available on request.

- >> Double acting design
- >> Nitrocarburised piston rod
- >> Annular area overload protection valve
- >> Low friction bearing surfaces
- >> Anti-extrusion seals
- >> Optional piston rod saddles (see pages 26 - 27)
- >> Collar thread protector supplied as standard



Model number	Capacity		Stroke mm	Oil cap. cm ³	Cyl. eff. area cm ²	Weight kg
	Push tonnes	Pull tonnes				
HHR302	33	24	51	238	46.7	12.2
HHR306	33	24	150	701	46.7	17.6
HHR3012	33	24	305	1424	46.7	25.7
HHR603	61	38	76	652	85.7	30.6
HHR606	61	38	152	1304	85.7	41.6
HHR6010	61	38	254	2179	85.7	52.5
HHR1003	102	43	76	1087	143.1	68.5
HHR1006	102	43	152	2174	143.1	90.0
HHR1508	152	71	203	4320	212.8	170.0
HHR2508	247	76	203	7039	346.5	269.0

Dimensions in mm (unless otherwise stated)									
A	B	C	D	E	F	G	H	I	J
180	115	60.3	35	4 1/2"-12un	40	M8	92	28	119
279	115	60.3	35	4 1/2"-12un	40	M8	92	28	218
434	115	60.3	35	4 1/2"-12un	40	M8	92	28	373
239	160	92	55	6 1/4"-12un	45	M12	130	31	166
315	160	92	55	6 1/4"-12un	45	M12	130	31	242
417	160	92	55	6 1/4"-12un	45	M12	130	31	344
310	213	140	80	8 3/8"-12un	40	M16	178	82	234
386	213	140	80	8 3/8"-12un	40	M16	178	82	310
503	270	184	102	n/a	n/a	n/a	n/a	98	389
505	350	254	150	n/a	n/a	n/a	n/a	98	389