



FLANGE TOOL INNOVATION

# PRODUCT DATA SHEET

## SWi20/25TI INNOVATIVE INTEGRAL HYDRAULIC FLANGE SPREADING WEDGE

**SPREADING FORCE:**  
 20 T (200 kN) 1st step  
 24 T (240 kN) 4th step  
**SPREADING DISTANCE:**  
 6.0 mm - 103.5 mm (0.24" - 4.1")  
**WEIGHT:** 8.5 kg (18.8 lb)

### CAPABILITIES

- At 700 bar (10 000 psi):  
 20 T spread force (1st step)  
 24 T spread force (4th step)
- 6.0 mm – 87.5 mm  
 (0.24" - 3.4") spread over 4 steps  
 (without stepped blocks)
- 48.5 mm – 103.5 mm  
 (1.9" - 4.1") spread over 2 steps  
 (with stepped blocks)
- 6.0 mm – 40.0 mm  
 (0.24" - 1.6") spread  
 using only 1st step



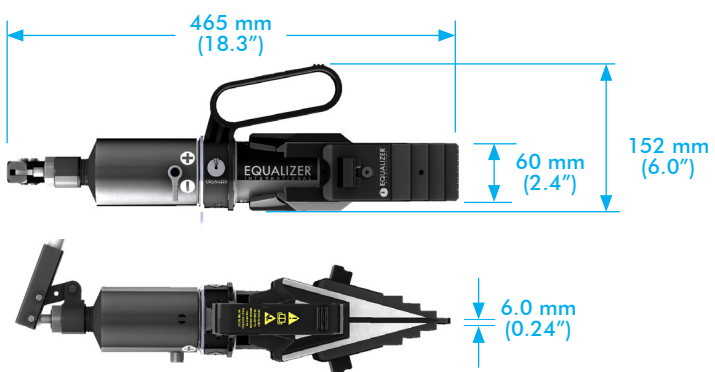
### USER FEATURES

- Practical, portable and lightweight
- Moulded plastic handle for comfort
- Revolving handle to aid horizontal or vertical spreading
- Offset handle is directly over the centre of mass
- Removable handle for improved access
- Revolving lanyard connection point
- Spread indicator markings for clear precise visual progress feedback

### SAFETY FEATURES

- No finger pinch-points
- Increased step depth on upper steps
- Safety lanyard – 1.0 m (39") length
- Forged key components for strength and reliability

### TOOL DIMENSIONS - CLOSED



### MAINTENANCE FEATURES

- Rapid disassembly and assembly
- Quick jaw replacement – remove 1 fastener
- Quick tip replacement – remove 2 fasteners
- Narrow jaw teeth – improved tool wear

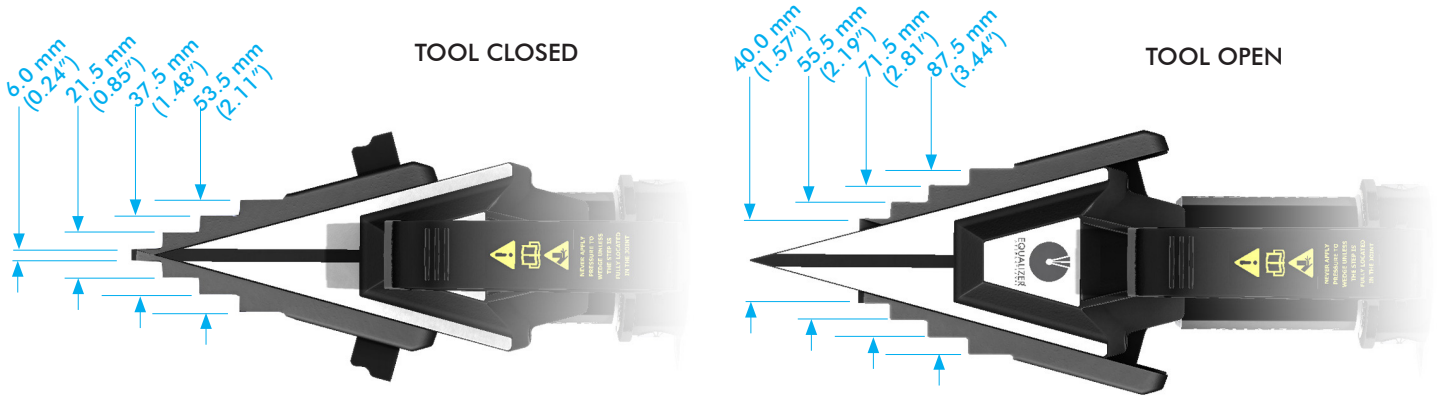
# SWi20/25TI

INNOVATIVE INTEGRAL HYDRAULIC  
FLANGE SPREADING WEDGE

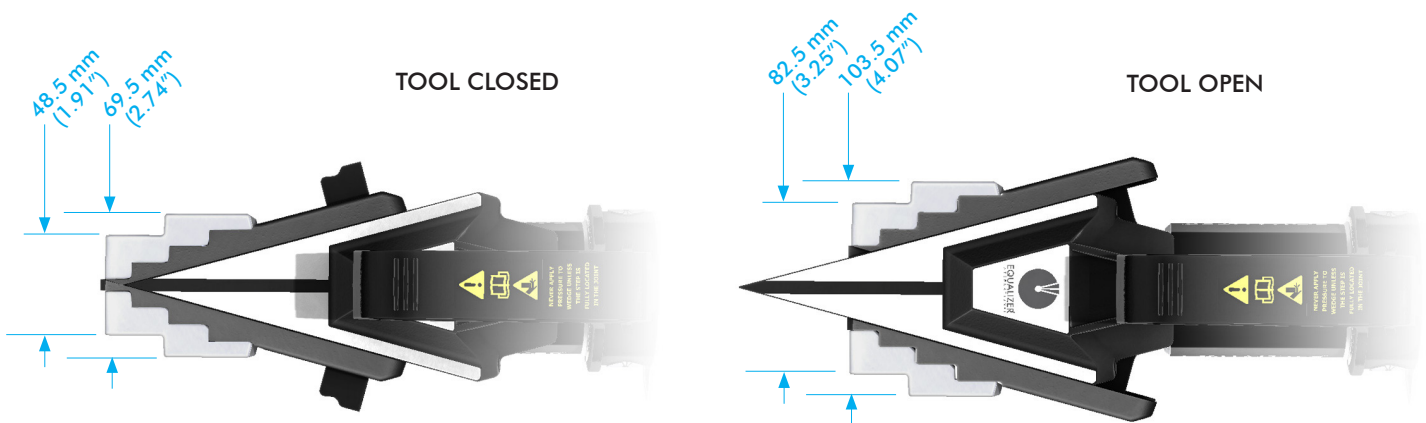


FLANGE TOOL INNOVATION

JAW DIMENSIONS  
(WITHOUT STEPPED BLOCKS ATTACHED)



JAW DIMENSIONS  
(WITH STEPPED BLOCKS ATTACHED)



## STANDARD KIT

- 1 x SWi2025TI Flange Spreader Wedgehead
- 1 x 700 bar (10 000 psi) Integral Hydraulic Pump/Cylinder
- 1 x Set of Safety Blocks
- 1 x Pair of Stepped Blocks
- 1 x Safety Lanyard
- 1 x Hex Key
- 1 x Instruction Manual
- 1 x Carry Case

Product Code: SWi2025TISTDSPB

Carry Case Dimensions:

580 mm x 330 mm x 165 mm (22.8" x 13.0" x 6.5")

Gross Kit Weight 13.8 kg (30.4 lb)

